

# veito

**EN** User's Manual



**CH1800 RE**

**Carbon Infrared Heater**

## **Carbon Infrared Heater**

- Thank you for purchasing Veito Carbon Infrared Heater. Please read the instructions thoroughly before using your heater.
- After reading the instructions, please keep it in a place accessible to all users.
- We cannot be liable for any damages caused by failure to observe these instructions.
- This appliance can be used by children aged from 8 years and above and persons with reduced physical, sensory or mental capabilities or lack of experience and knowledge if they have been given supervision or instruction concerning use of the appliance in a safe way.

## **Safety Precautions**

These precautions are designed for keeping users safe and preventing material damage. Be sure to read them and use the product correctly.

Read all instructions before installing and using this heater.

This heater is designed for use on a 220-240VAC 50/60Hz supply.

Use this heater only as described in this manual. Any other use not recommended by the manufacturer may cause fire, electric shock, or injury to persons.

This appliance is not intended for use by persons (including children) with reduced physical, sensory or mental capabilities, or lack of experience and knowledge, unless they have been given supervision or instruction concerning use of the appliance by a person responsible for their safety.

Children should be supervised to ensure that they do not play with the appliance.

The fireguard of this heater is intended to prevent direct access to heating elements and must be in place when the heater is in use.

The fireguard does not give full protection for young children and infirm persons.

Do not use the heater in areas where gasoline, paint, flammable liquids or highly combustible dusts are used or stored.

Ensure both plug and socket is clean and free from dust when using.

Regularly inspect the power cord and plug for wear or damage and do not operate the heater with a damaged cord, plug or loose socket or after the heater malfunctions, has been dropped or damaged in any manner.

To disconnect the heater from the power supply, turn the controls off, grip the plug and pull from the power socket. Never pull by the cord. Never touch the plug with wet or moist hands.

Do not kink or place the main power lead under heavy objects. Do not allow the supply cord to sit or hang in front of the heater while in use.

Do not overload the dedicated power socket with other equipment. Do not use an extension cord with this heater.

The heater must not be located immediately below a socket outlet or connection box and ensure that the unit is properly earthed through the mains power circuit.

Keep combustible materials such as furniture, pillows, bedding, papers, clothes and curtains at least 1.5m from the front of the heater and keep them away from the sides and rear.

Do not use the heater if the heating element is cracked or broken.

Never put hands or objects into the main body of the product. Never touch it immediately after use. Always disconnect the heater from the electricity supply and allow it to cool before adjusting the position or attempting to work on it.

Never place combustible objects on the product such as vinyl and plastic items.

Do not use this heater in the immediate surroundings of a bath, a shower, or a swimming pool.

Extreme care should be taken whenever the heater is left operating and unattended.

Never use the heater while sleeping.

## Introduction

The Veito Carbon Infrared heater produces instant and comfortable heat like the sun. These robust and weatherproof heaters are designed for domestic and commercial heating applications.

Model	CH1800 RE
Heating Capacity (BTU/h)	7500
Maximum Power (W)	1700
Space for use (m <sup>2</sup> )	20
Power Supply	AC 220-240V 50/60 Hz
Dimensions (mm) (WxLxH)	80 x 170 x 820
Product Weight (kg)	2.1
Controlling method	Push Button and Remote Control
Controlling function	Automatic Temperature Control, 4 Power Settings, Off Time
Safety device	Tilt Sensor

## Precautions for Installations

Never install the heater on a combustible surface. Do not use the unit on unstable or unsafe surfaces.

Install the product at places that are visible to people.

Do not install at places with high temperature.

Keep packaging parts because they are necessary in maintaining the heater for a long time.

## Installation



Assemble the two parts of the base.



Insert the plastic connection part onto the aluminum profile.



Place the aluminum profile into the place on the base and push it on a level until it sounds 'click'.



Assemble the product stand with the product. Tighten the connection nut adequately as to secure the heater in position. You will re-adjust this height later.

Always leave a clear space of at least 0.5m from the left and right of the unit. The unit must also have at least 1.5m clear space above it. Never put any obstacles nearer than 1.5m to the front of the unit.

Use the unit in places with easy access to power sockets and that are well ventilated.

Never use connecting terminals in the power lead. Always directly connect the unit to the power.

Put plug into specific outlet for 220-240VAC 50/60Hz with earth terminal.

## Configuration

1-Plastic Body

2-Base Reflector

3-Aluminium Body

4-Rear Reflector

5-Safety Grille

6-Carbon Filament

7-Control Panel

8-Aluminum Profile

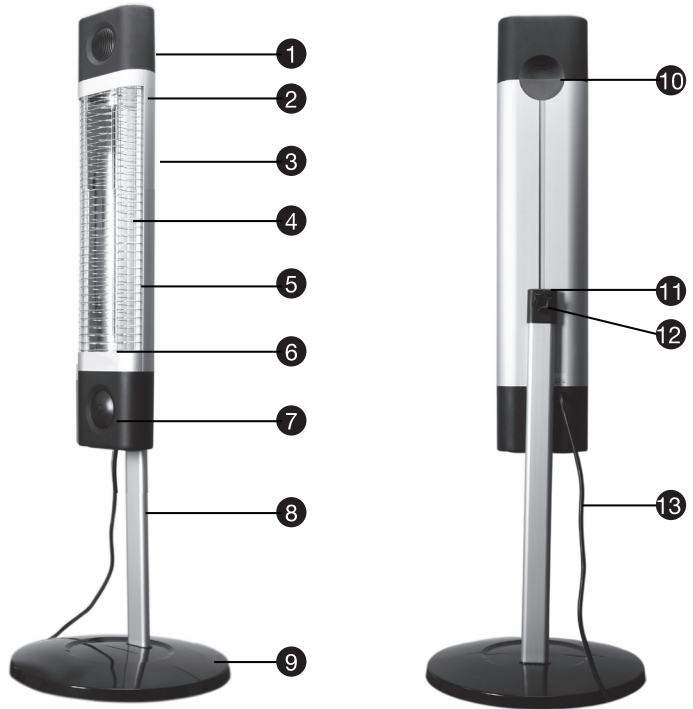
9-Plastic Base

10-Carry Handle

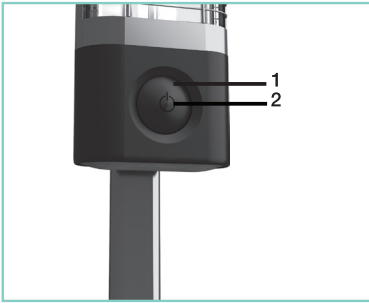
11-Fixing Plastic

12-Fixing Nut

13-Power Cord



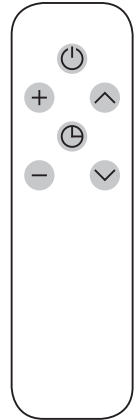
## Control Panel



- 1-LED Display  
Power, temperature and timer settings are displayed.
- 2-Control Button

## Remote Control and Operation

- ⬆ Press the button to turn on the heater at high level or change the heat setting.
- ⬇ Press the button to turn on the heater at low level or change the heat setting.
- + Press the button to set the required room temperature.  
The heater will adjust the level when the temperature set has been reached.
- ⌚ Press the button repeatedly to cycle through the sleep time options:  
1h - 2h - 3h - 4h - 5h - 6h - 7h - 8h - 9h - OFF  
  
Once the sleep time is expired, the until will be switched off.  
  
During operation, press timer button once to check the remaining sleep time.
- ⏻ Press the button to turn the heater off.



You can also use the button on the unit to operate the heater.

## Replacing Remote Control Batteries

Replace all two batteries when the remote control stops operating or its range seems reduced.

Slide the battery compartment cover off.

Symbols inside the compartment show how to match the - and + symbols on the batteries.

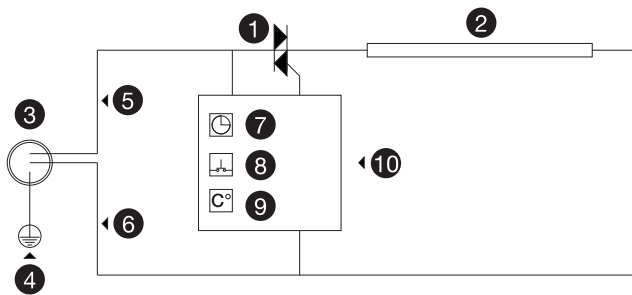
Insert the two AAA batteries, making sure to match the - and + symbols.

Slide the cover back on until it clicks into place.

**Note:** Do not allow water or liquid to get into the remote control.

## Electrical Circuit

1. Triac
2. Carbon Flament
3. Power Cord
4. Yellow-Green (E)
5. Brown (N)
6. Blue (L)
7. Off Timer
8. Tilt Sensor
9. Temperature Sensor
10. Mainboard



## Cleaning and Maintenance

Handle heater when it is completely cooled down and power is cut off.

If the heater has collected dust or dirt inside the unit or around the elements, have the unit cleaned by a qualified service agent. Do not operate the heater in this condition.

Do not attempt to open the case of the heater at any time; there are no customer serviceable parts inside.

Do not use powerful abrasive or solvent cleaning fluids when cleaning the heater as they may damage the plastic parts. Use only a clean, dry cloth to clean the external surfaces of the heater only.

Cleaning and user maintenance shall not be made by children without supervision.

Do not touch the heating element with bare fingers, as residue from your hand could affect the life of the lamp. If it is accidentally touched, remove the finger marks with a soft cloth moistened with methylated spirit or alcohol.

# veito

[www.veito.com](http://www.veito.com)

